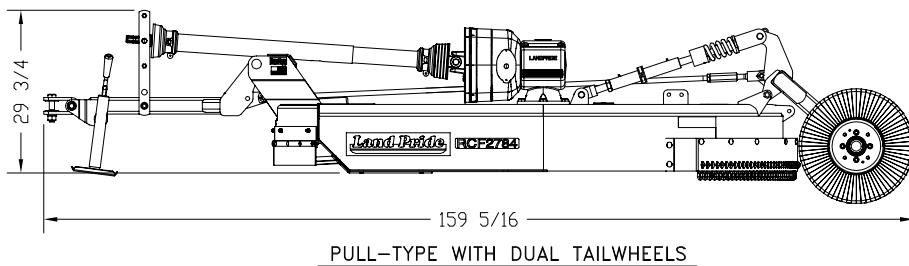
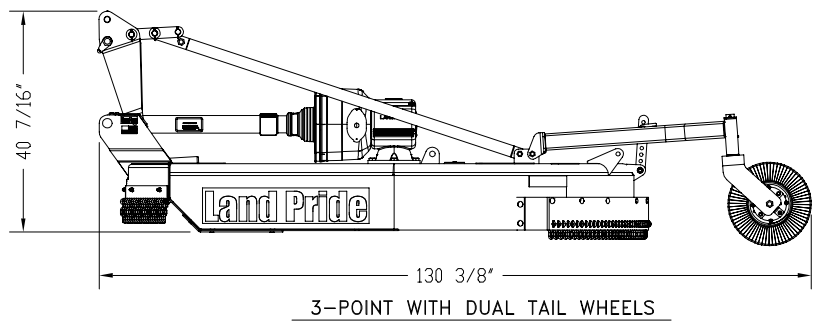
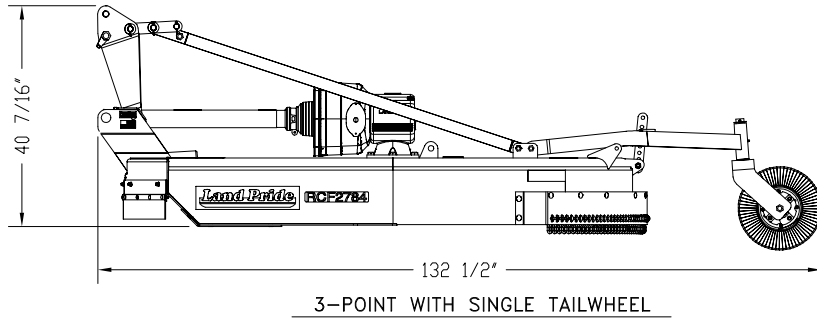
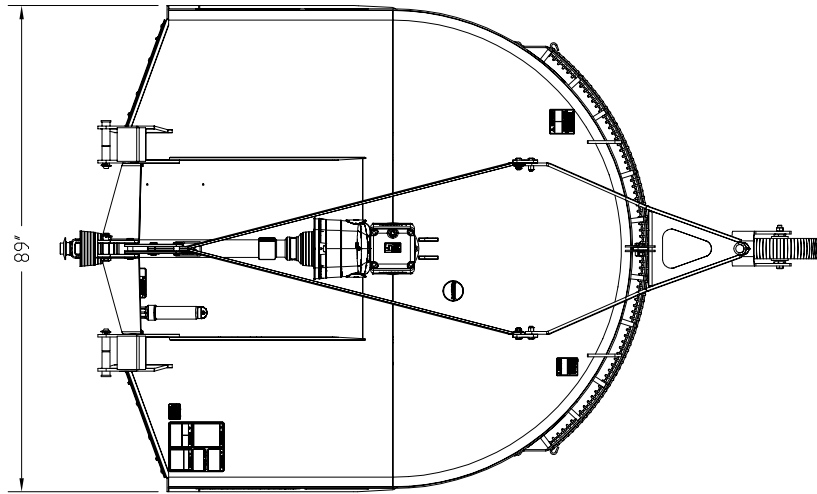


RCF2784 & RCR2684 Models

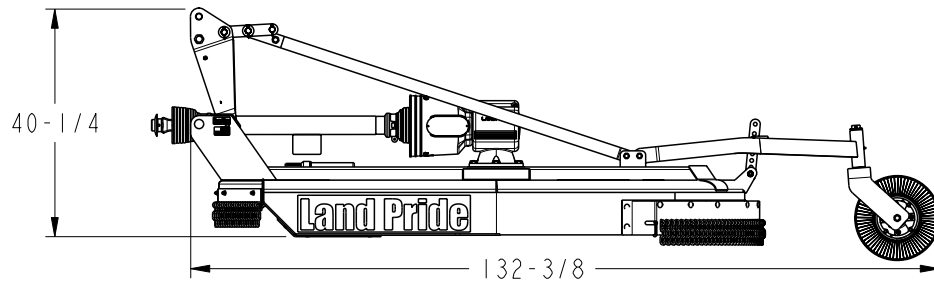
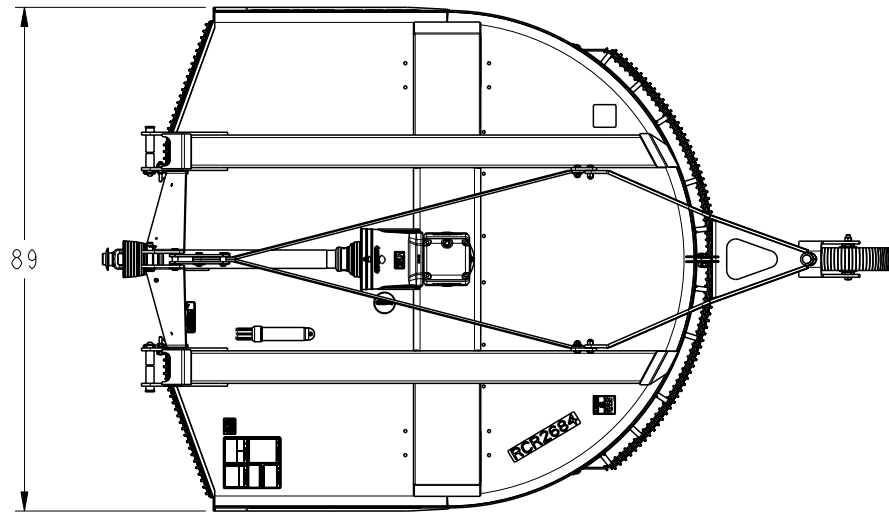
| Specifications & Capacities | | |
|--|--|--|
| | RCF2784 | RCR2684 |
| Machine weight | | |
| 3-Point single tailwheel | 1,354 lbs. with front & rear chain guards | 1,225 lbs. with front & rear chain guards |
| 3-Point dual tailwheel | 1,427 lbs. with front & rear chain guards | 1,298 lbs. with front & rear chain guards |
| Pull-type dual tailwheel | 1,632 lbs. with front & rear chain guards and hydraulic adjustment | N/A |
| 3-Point hitch | Category II & III with floating top linkage, quick hitch adaptable | |
| Pull type tongue weight | 687 lbs | N/A |
| Cutting width | 84" | |
| Overall width | 89" | |
| Overall length | | |
| 3-Point single tailwheel | 132 1/2" | 132 1/2" |
| 3-Point dual tailwheel | 130 3/8" | 130 3/8" |
| Pull-type dual tailwheel | 159 1/4" | N/A |
| Deck height (bottom of deck to bottom of skid shoe) | 10 1/8" | 9 7/8" |
| Cutting height | 1 1/2" to 12" | |
| Cutting capacity | 3" Diameter | |
| Recommended tractor horsepower | 60-130 horsepower | |
| Power take-off speed | 540 rpm | |
| Gearbox ratio | 1:1.21 | |
| Gearbox construction | Speed-up beveled gears, cast iron housing, 1 3/8"-6 spline input shaft and 2" output shaft | |
| Gearbox oil capacity & type | 6.5 Pints of EP 80-90W gear lube | |
| Deck construction | All welded deck | |
| Deck material thickness | 10 Gauge | |
| Side skirt material thickness | 1/4" | |
| Skid shoes | 1/4" thick bolt-on replaceable skid shoes | |
| Stump jumper | 3/16" x 24" x 38" Oval pan with 1" thick blade holder bar | |
| Blades (2) | 1/2" x 4" x 31" Heat treated alloy steel free-swinging high lift | |
| Blade bolts | Keyed with harden flat washers & locknuts. | |
| Blade tip speed | 14,369 FPM | |
| Driveline | ASAE Category 4 | |
| Driveline protection | 4 Plate slip clutch | |
| Tailwheel mount | Welded A-arm and caster fork with 360 degree swivel | |
| Tailwheel | 4" x 8" x 15" Laminated tire with cast iron hub | |
| Front guard | Rubber guard (optional) Single chain guard (optional) Double chain guard (optional) | Single chain guard (optional) |
| Rear guard | Metal band (standard) Single chain guard (optional) Double chain guard (optional) | Metal band (standard) Single chain guard (optional) |

RCF2784

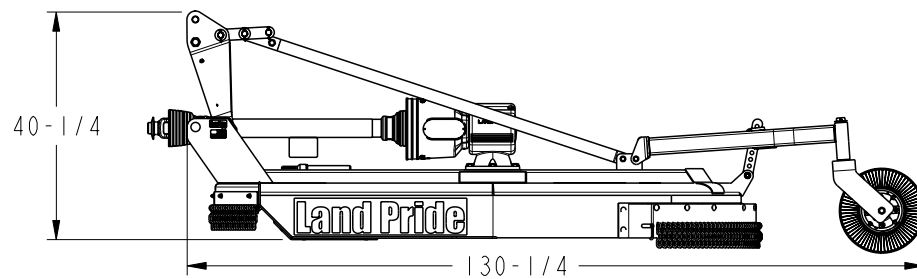


33037

RCR2684



3-POINT WITH SINGLE TAILWHEEL



3-POINT WITH DUAL TAILWHEELS

70207